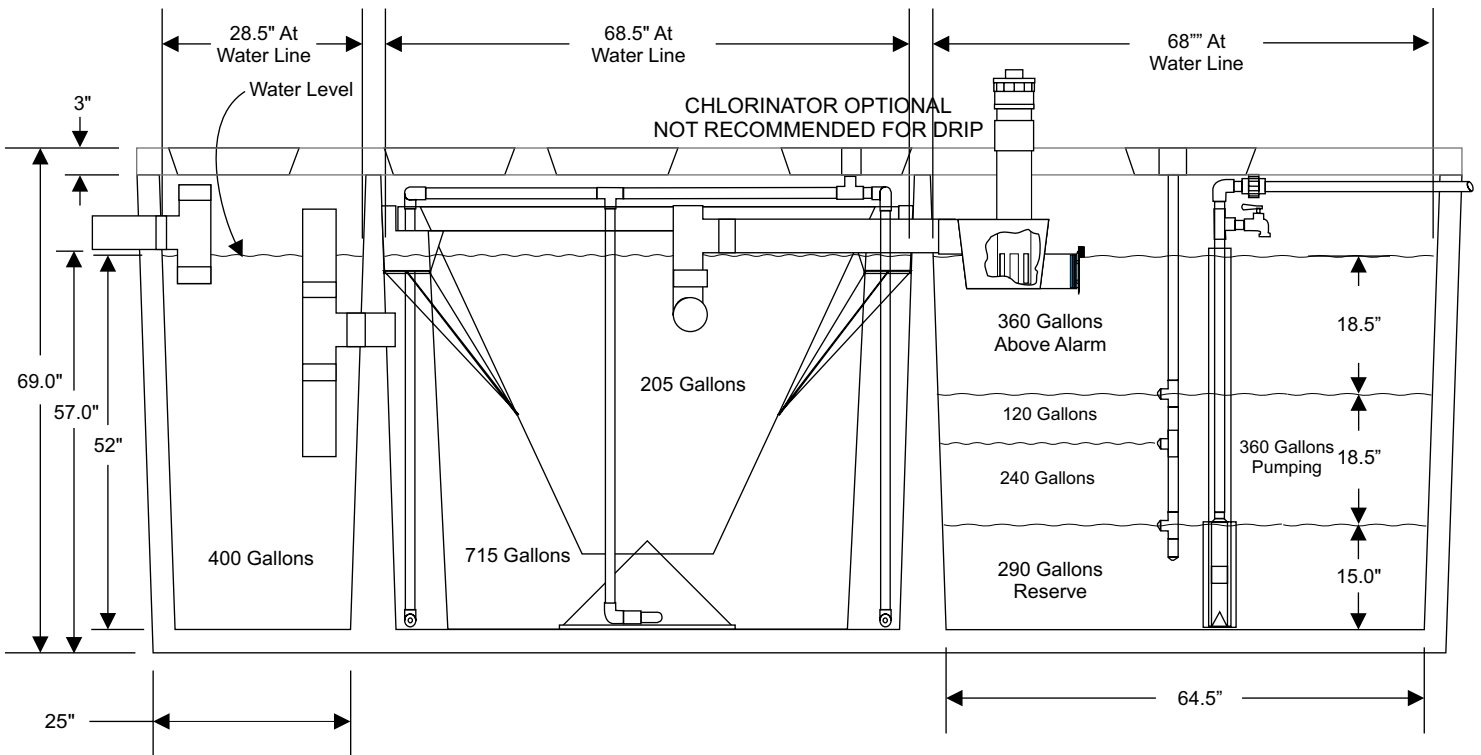
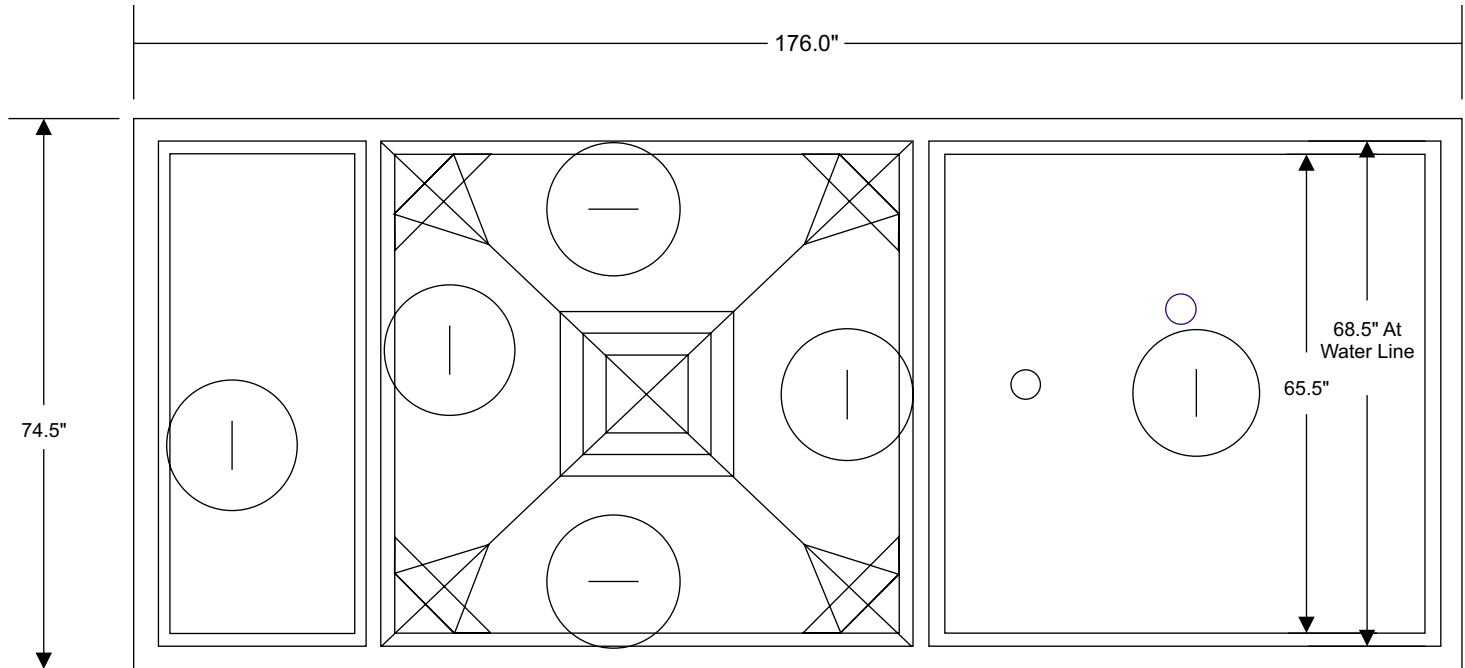


500 GPD DRIP SYSTEM WITH FULL DAY ABOVE ALARM H-500 ATD



2.229' Avg. Length
5.600' Avg. Width
4.333' Depth

5.521' Avg. Length
5.600' Avg. Width
4.333' Depth

1010 Gallons
290 Gallons Remaining In Tank

720 Gallons Holding Capacity