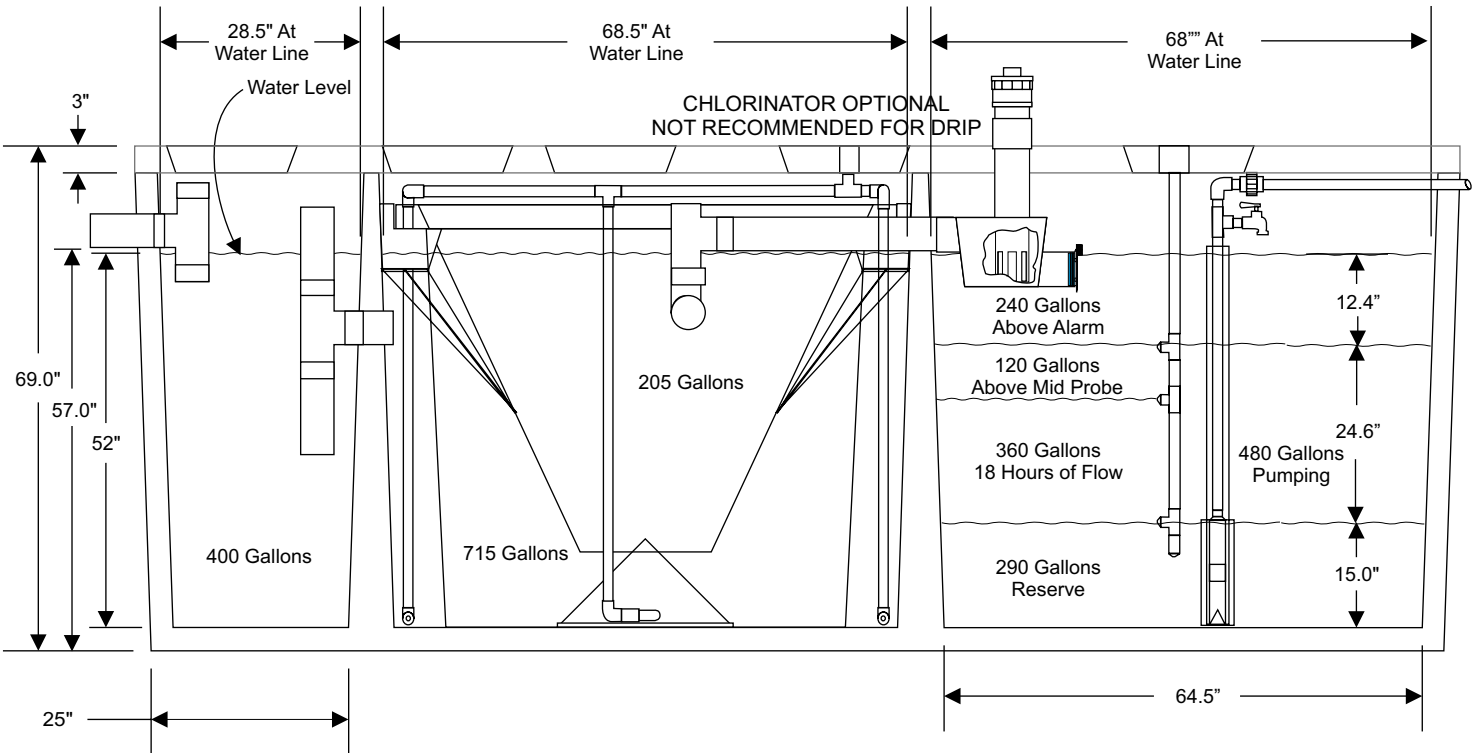
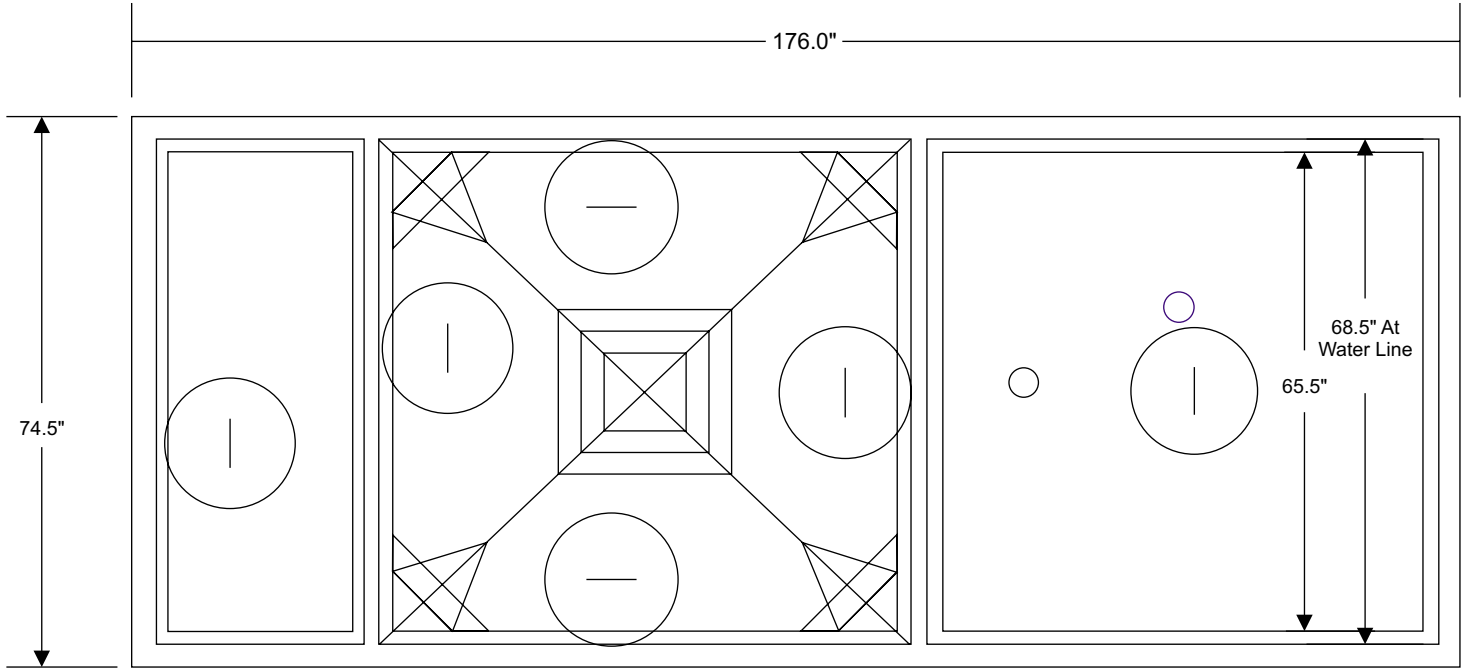


500 GPD DRIP SYSTEM H-500 ASD



2.229' Avg. Length
5.600' Avg. Width
4.333' Depth

5.521' Avg. Length
5.600' Avg. Width
4.333' Depth

1010 Gallons
290 Gallons Remaining In Tank

720 Gallons Holding Capacity