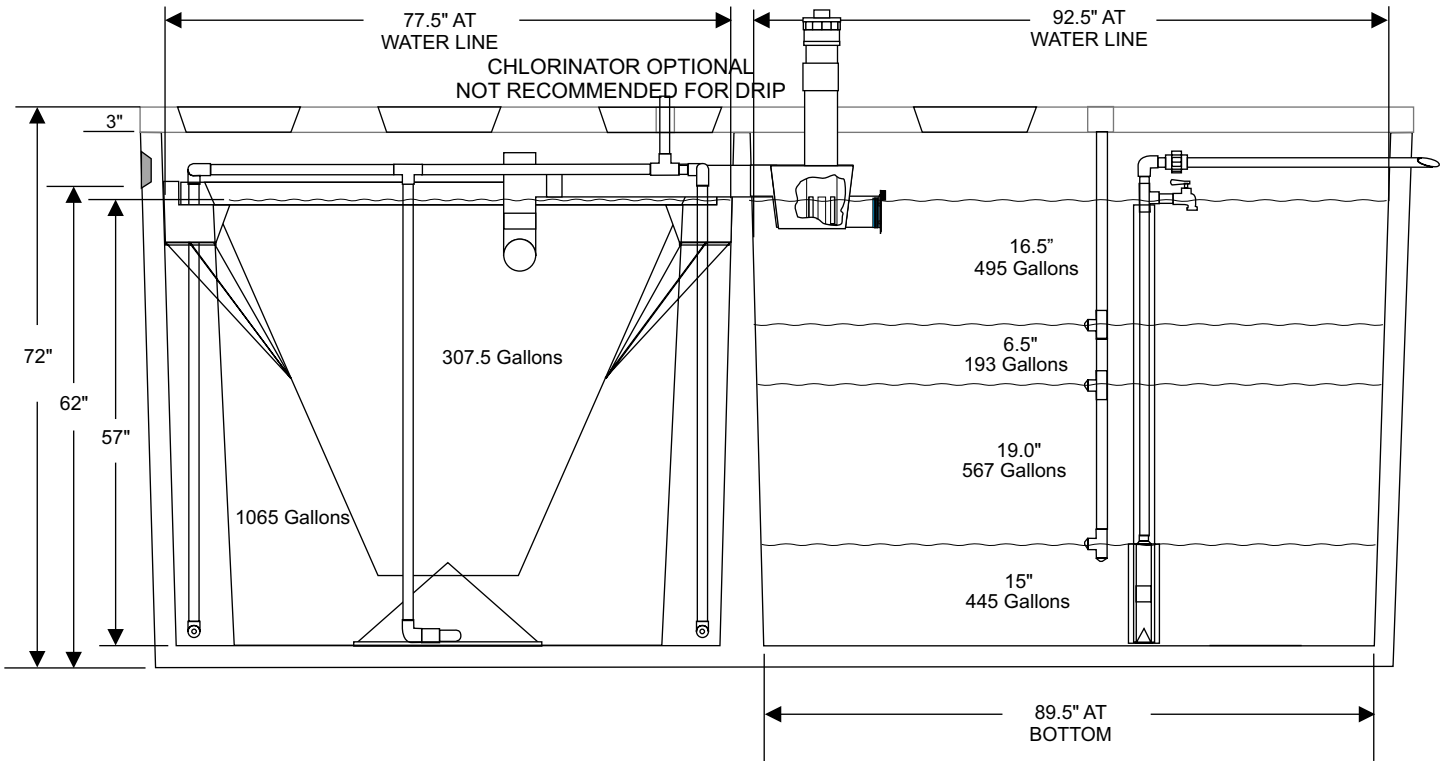
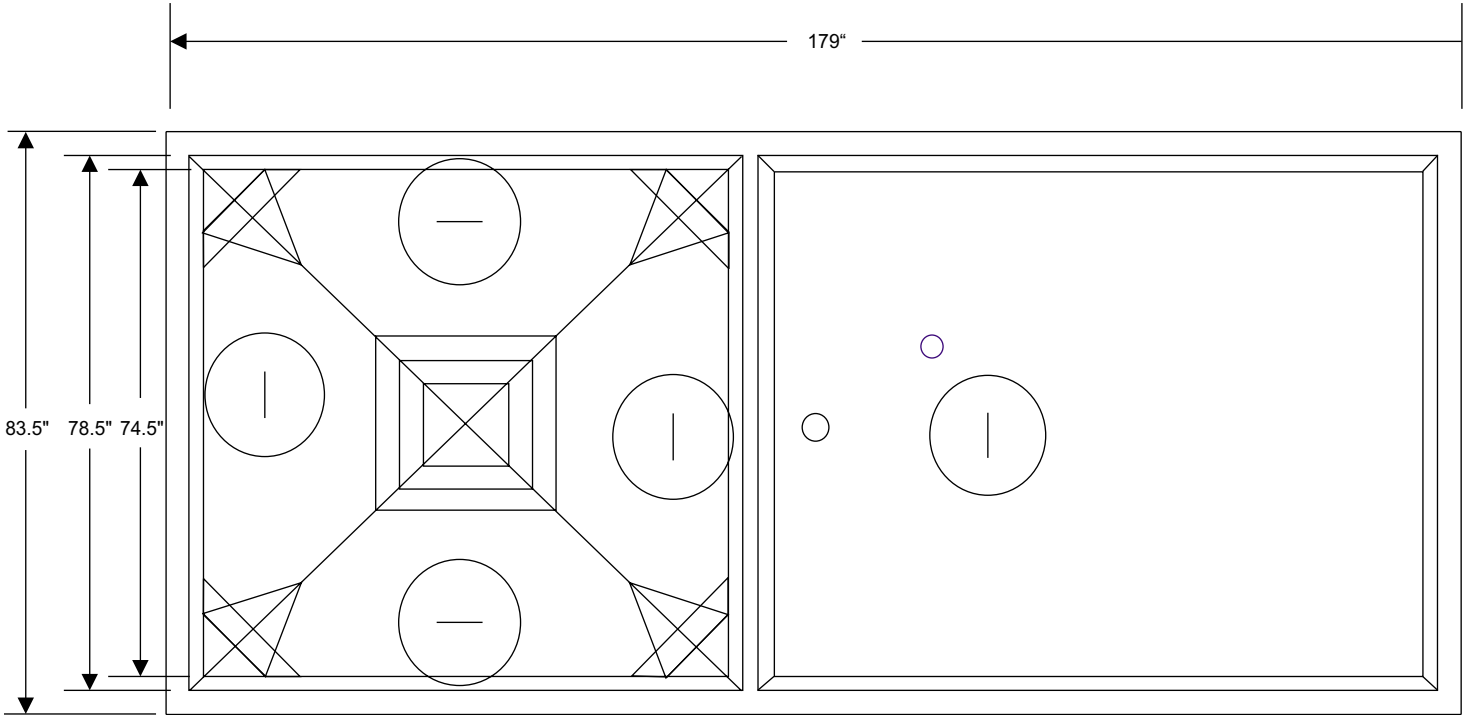


750 GPD DRIP SYSTEM H-750 AND,CP



76" Avg. Length
76" Avg. Width
57" Depth

91" Avg. Length
76" Avg. Width
57" Depth

1700 Gallons
445 Gallons Remaining In Tank

1255 Gallons Pumping Capacity