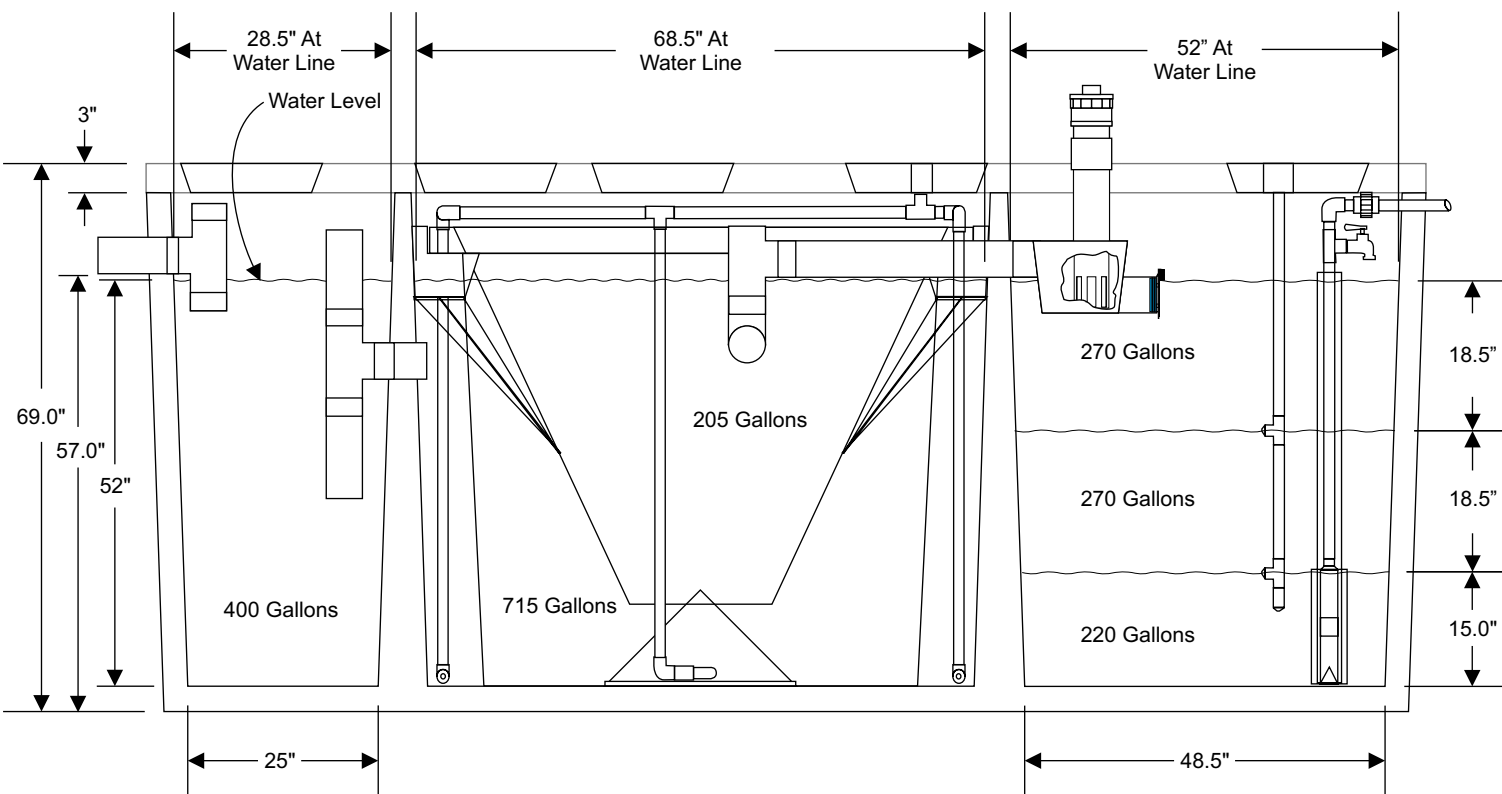
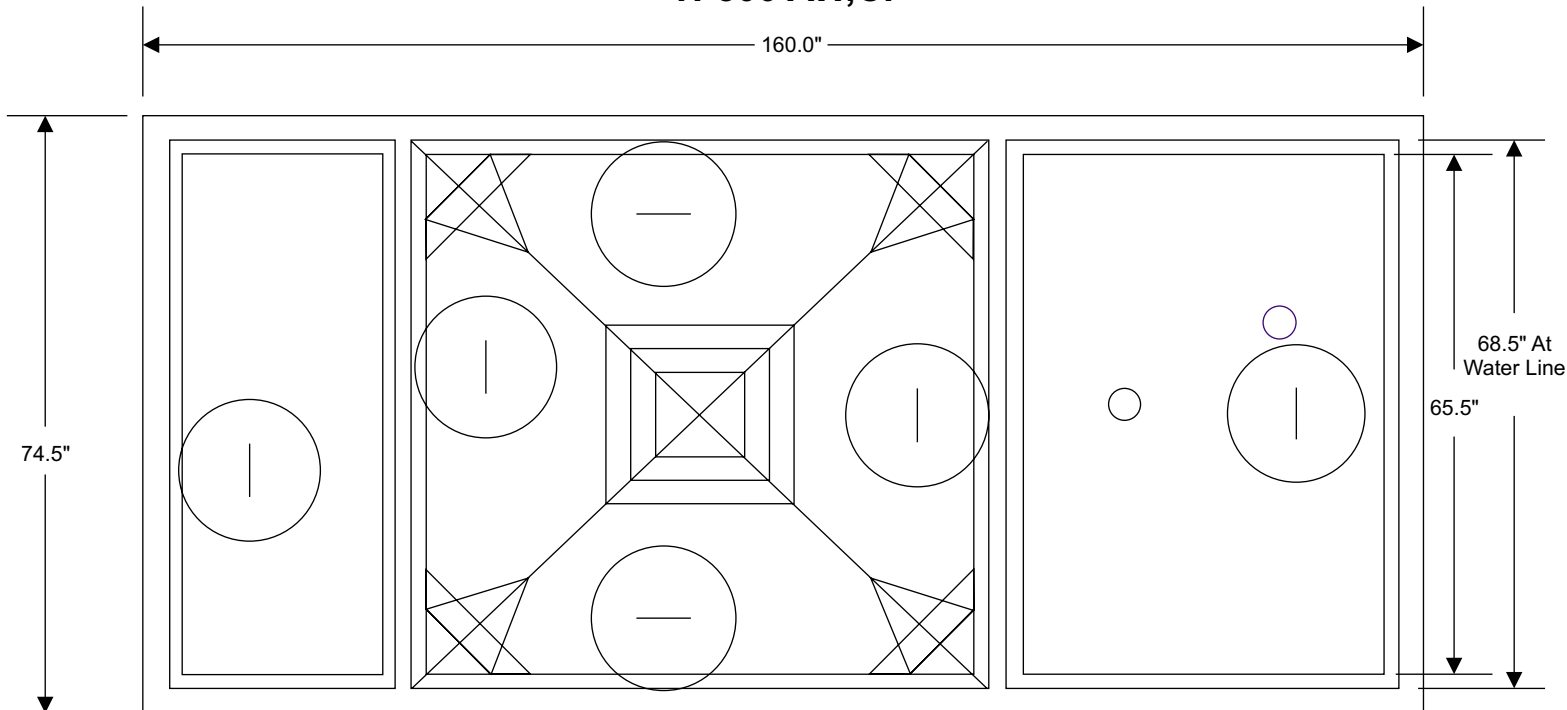


500 GPD NIGHT PUMPING SYSTEM WITH FULL DAY ABOVE ALARM H-500 AW,CP



2.229' Avg. Length
5.600' Avg. Width
4.333' Depth

4.187' Avg. Length
5.600' Avg. Width
4.333' Depth

760 Gallons
220 Gallons Remaining In Tank

540 Gallons Holding Capacity