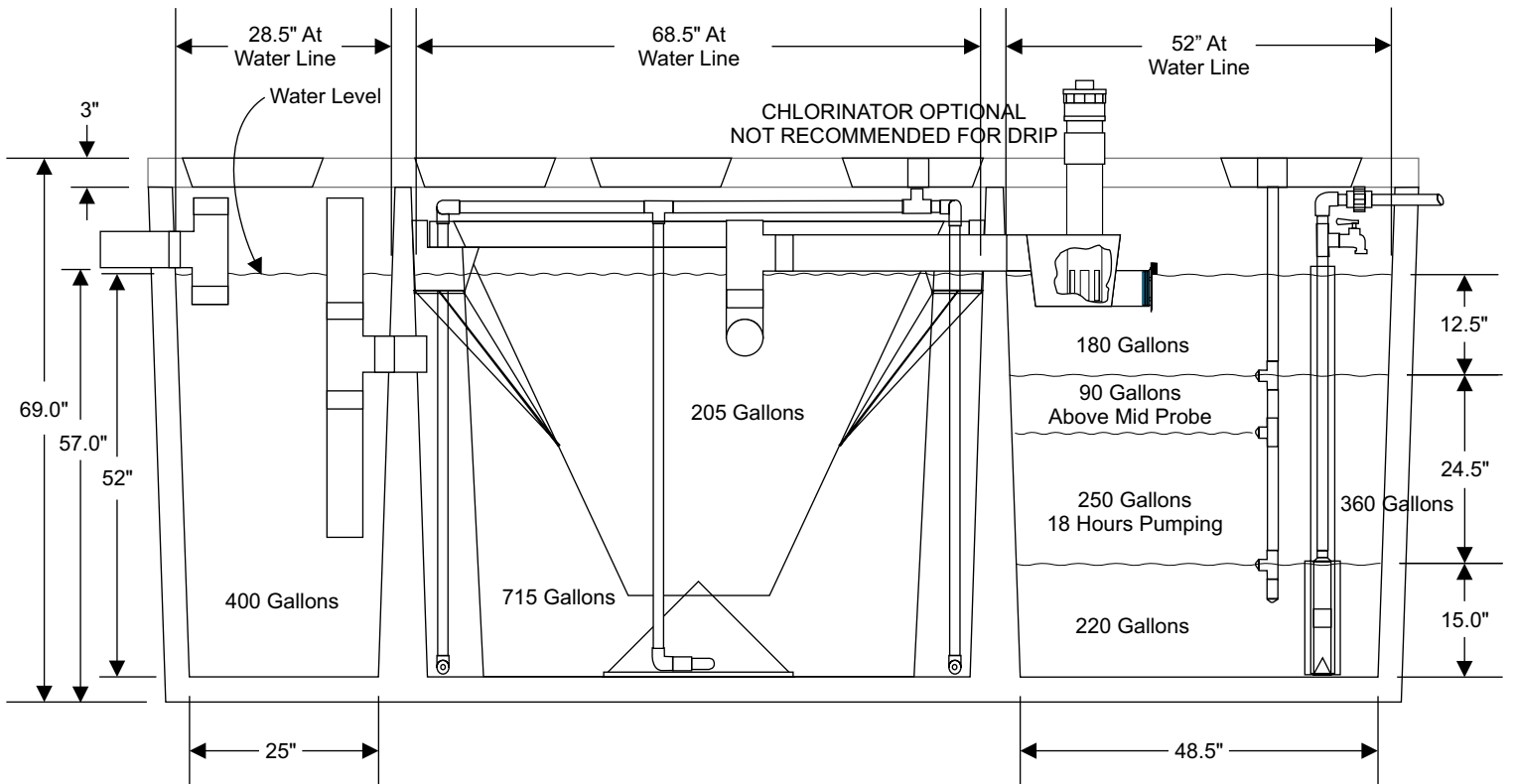
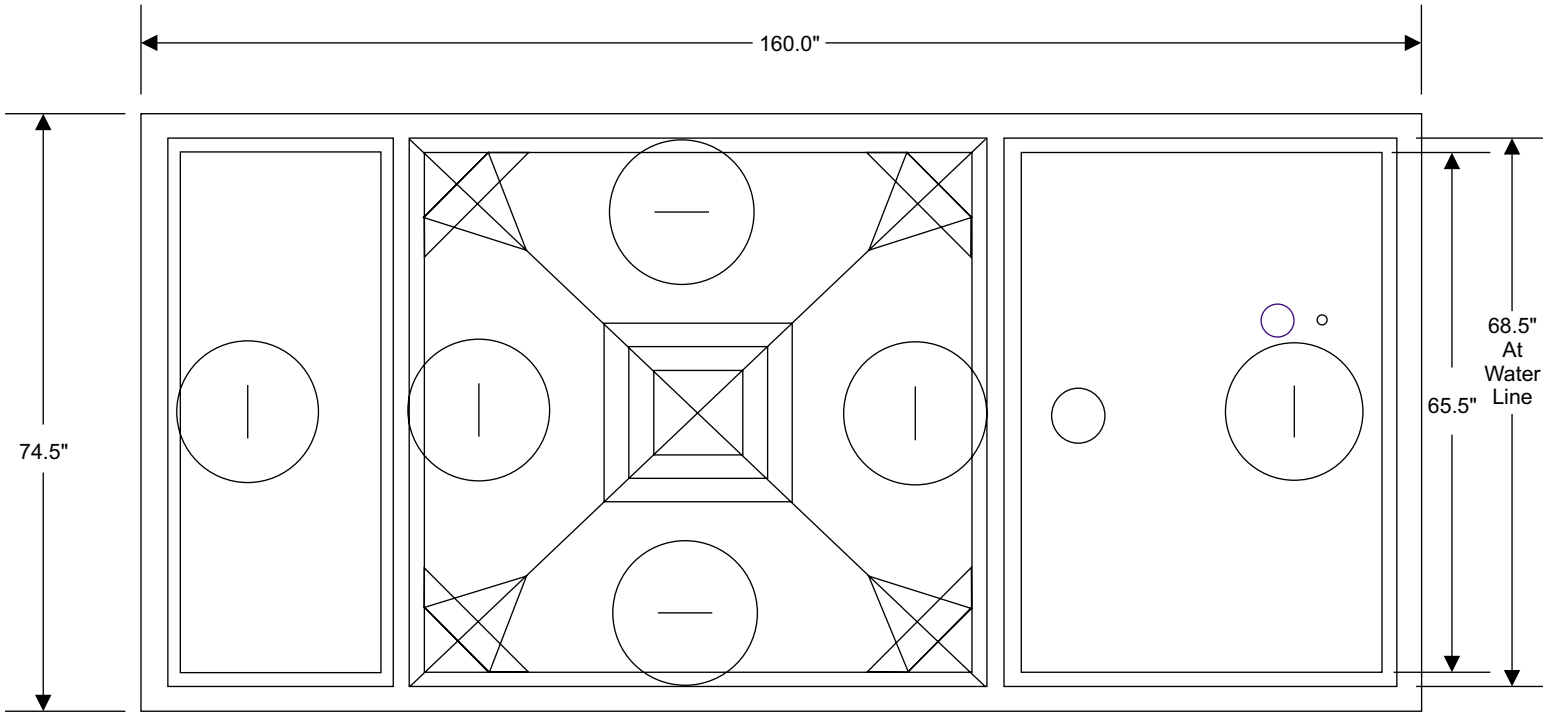


500 GPD DRIP SYSTEM H-500 AND



2.229' Avg. Length
5.600' Avg. Width
4.333' Depth

4.187' Avg. Length
5.600' Avg. Width
4.333' Depth

760 Gallons
220 Gallons Remaining In Tank

540 Gallons Holding Capacity