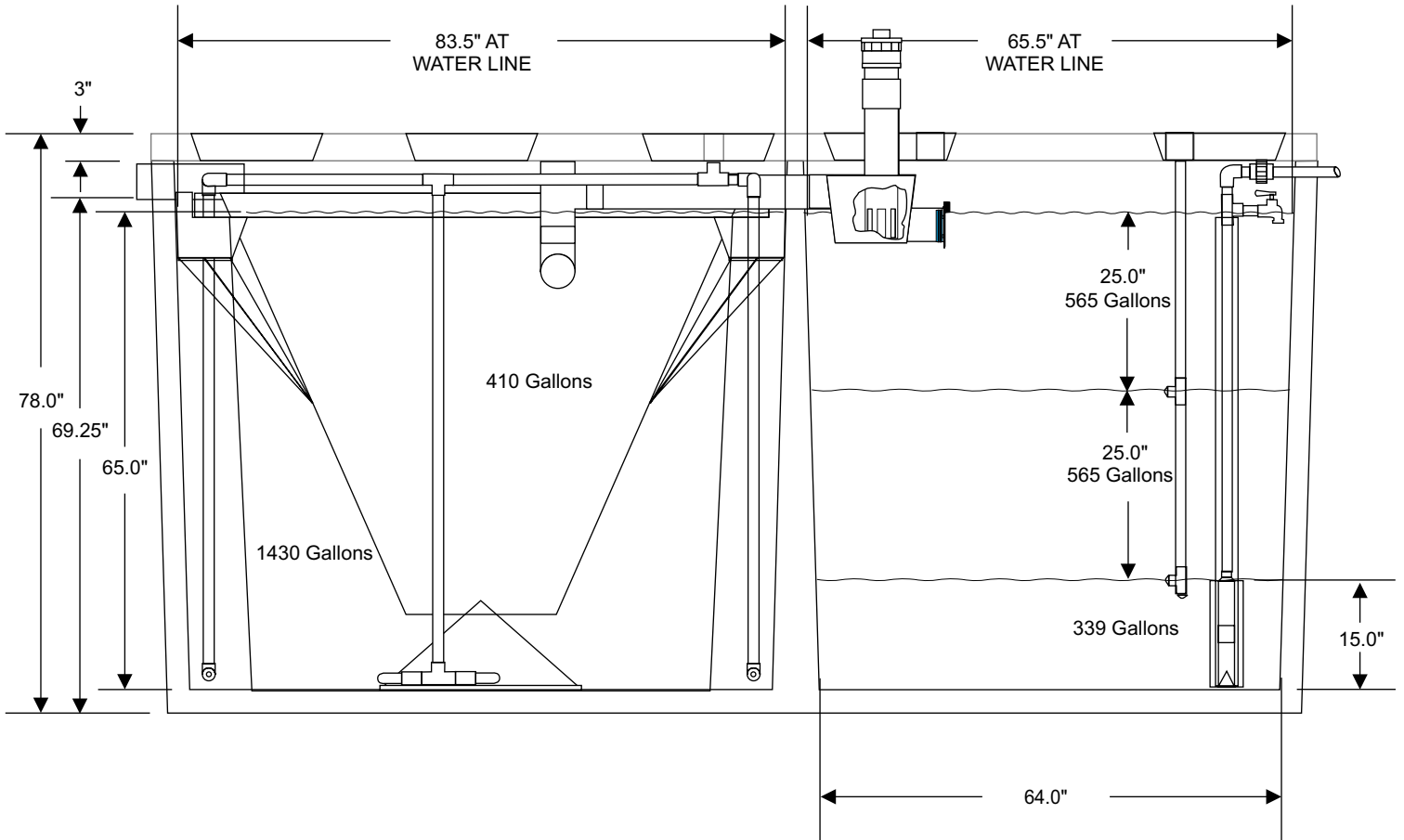
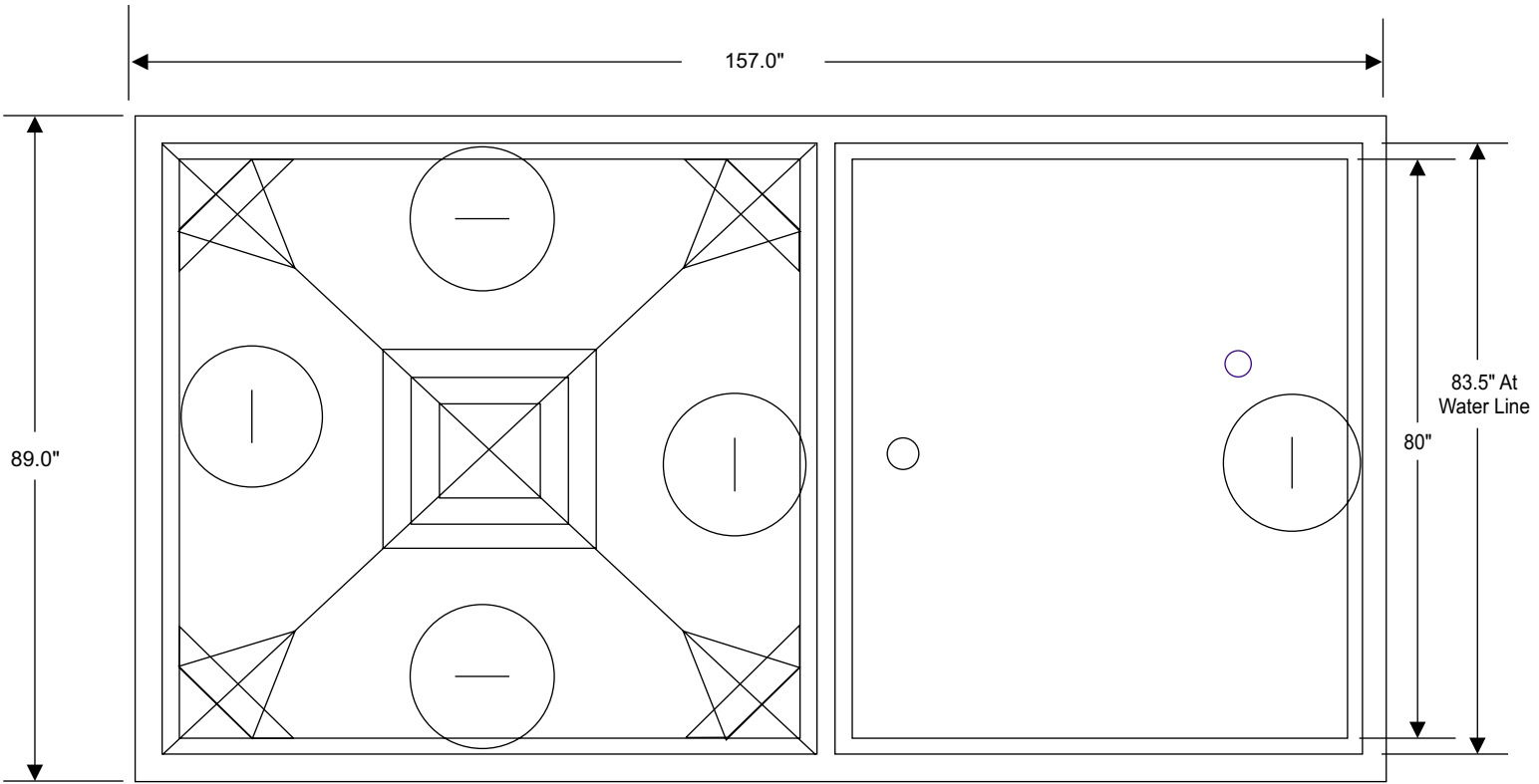


1000 GPD DEMAND / NIGHT PUMPING SYSTEM H-1000 AW



5.312' Avg. Length
6.812' Avg. Width
5.416' Depth

1469 Gallons
339 Gallons Remaining In Tank

1130 Gallons Pumping Capacity