

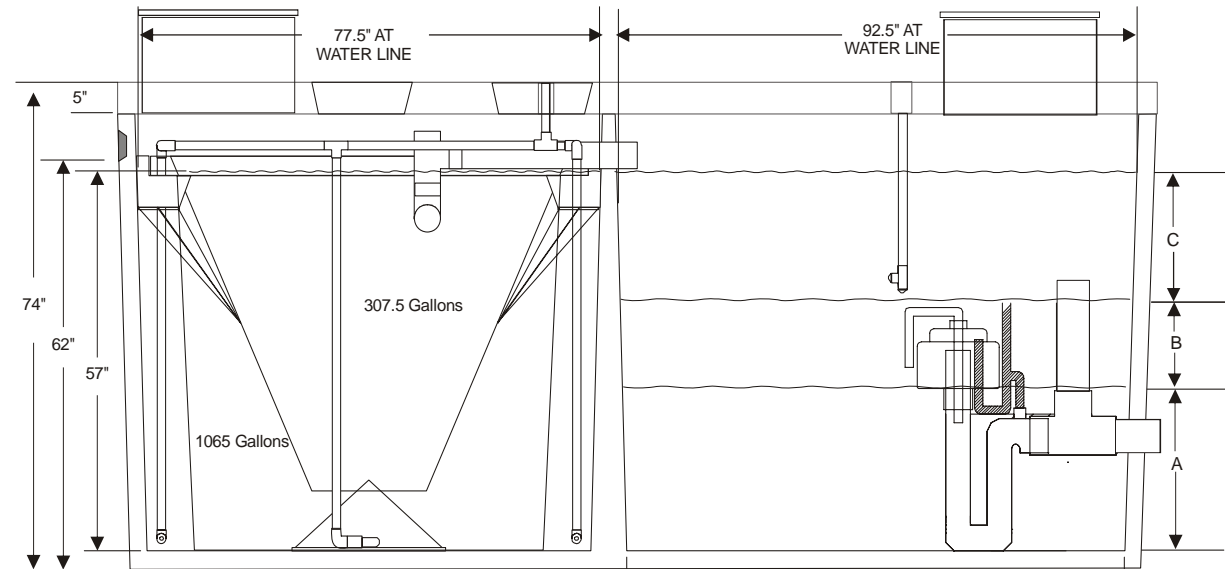
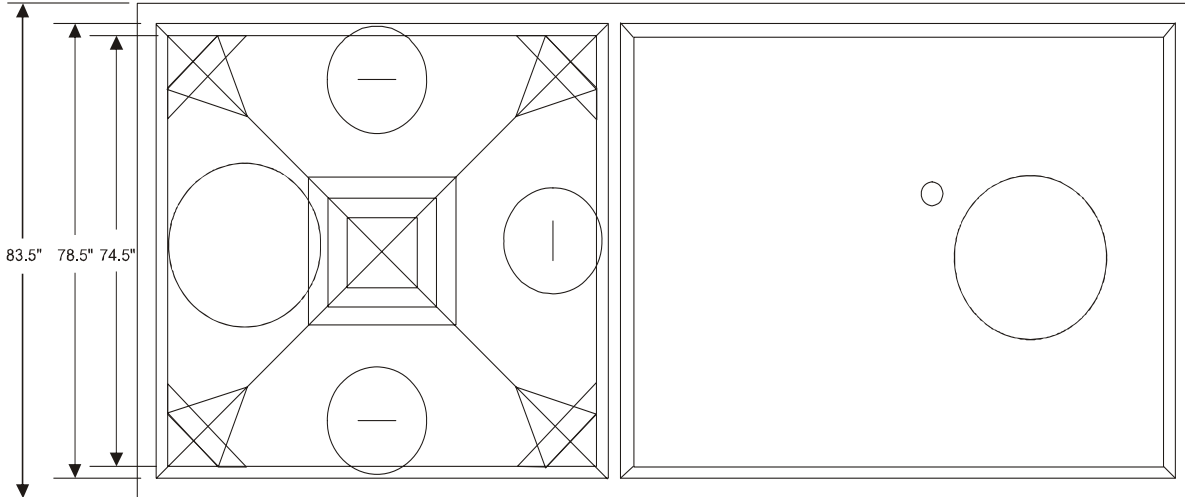
Colorado Hoot™ 5 Bedroom Siphon

FLXX™

FLXX™

Note: N.T.S

179"



Siphon 308
A = 19" = 567 Gallons
B = 8" = 239 Gallons
C = 30" = 895 Gallons

Siphon 313
A = 19" = 576 Gallons
B = 13" = 388 Gallons
C = 25" = 746 Gallons

Siphon 316
A = 22" = 656 Gallons
B = 16" = 477 Gallons
C = 19" = 567 Gallons

89.5" AT
BOTTOM



Front Range Precast Concrete, Inc.

5439 N. Foothills Highway

Boulder, Colorado 80302

Ph: (303) 442-3207, (800) 783-3207 — Fax: (303) 442-3209

www.fronrangeprecast.com