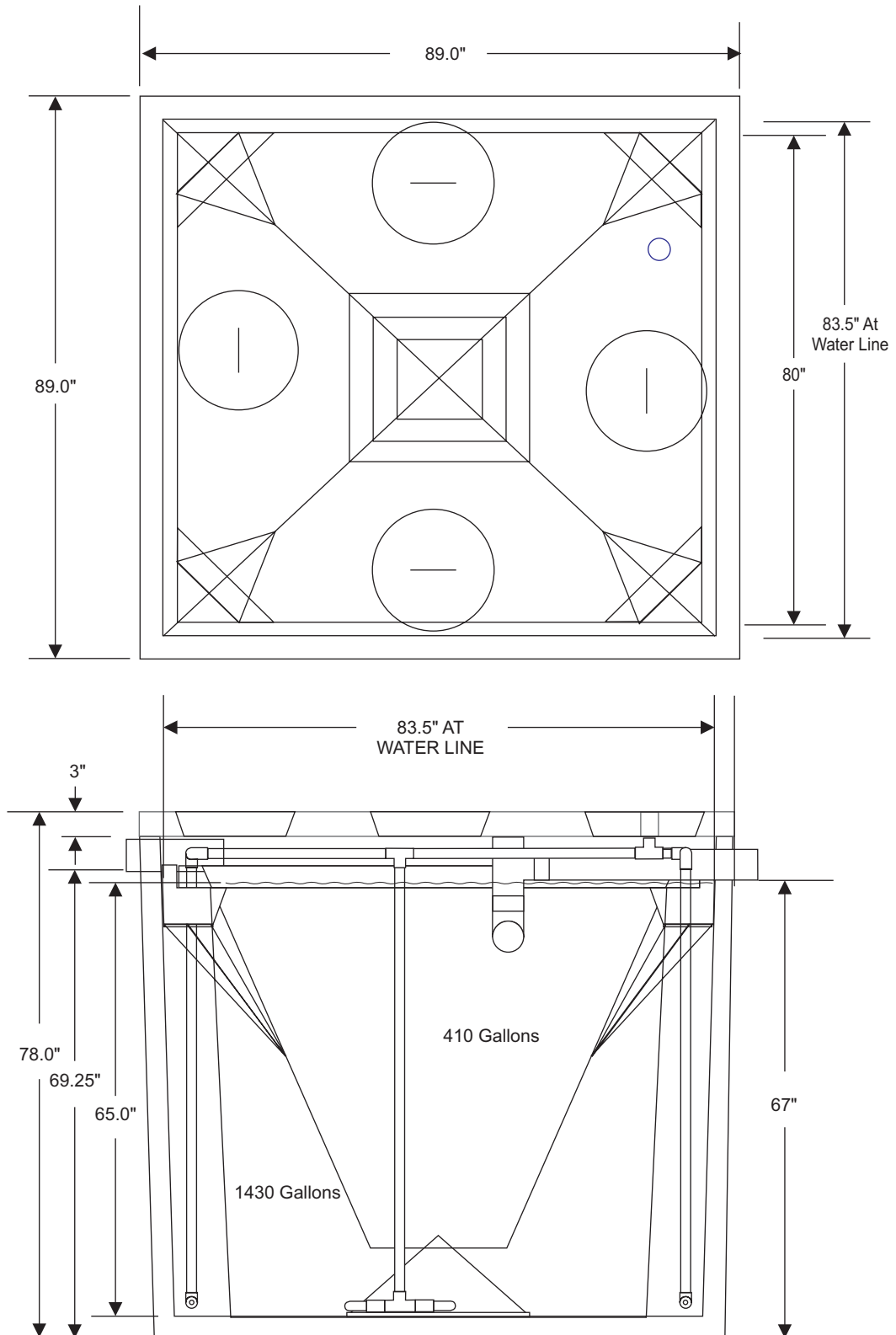
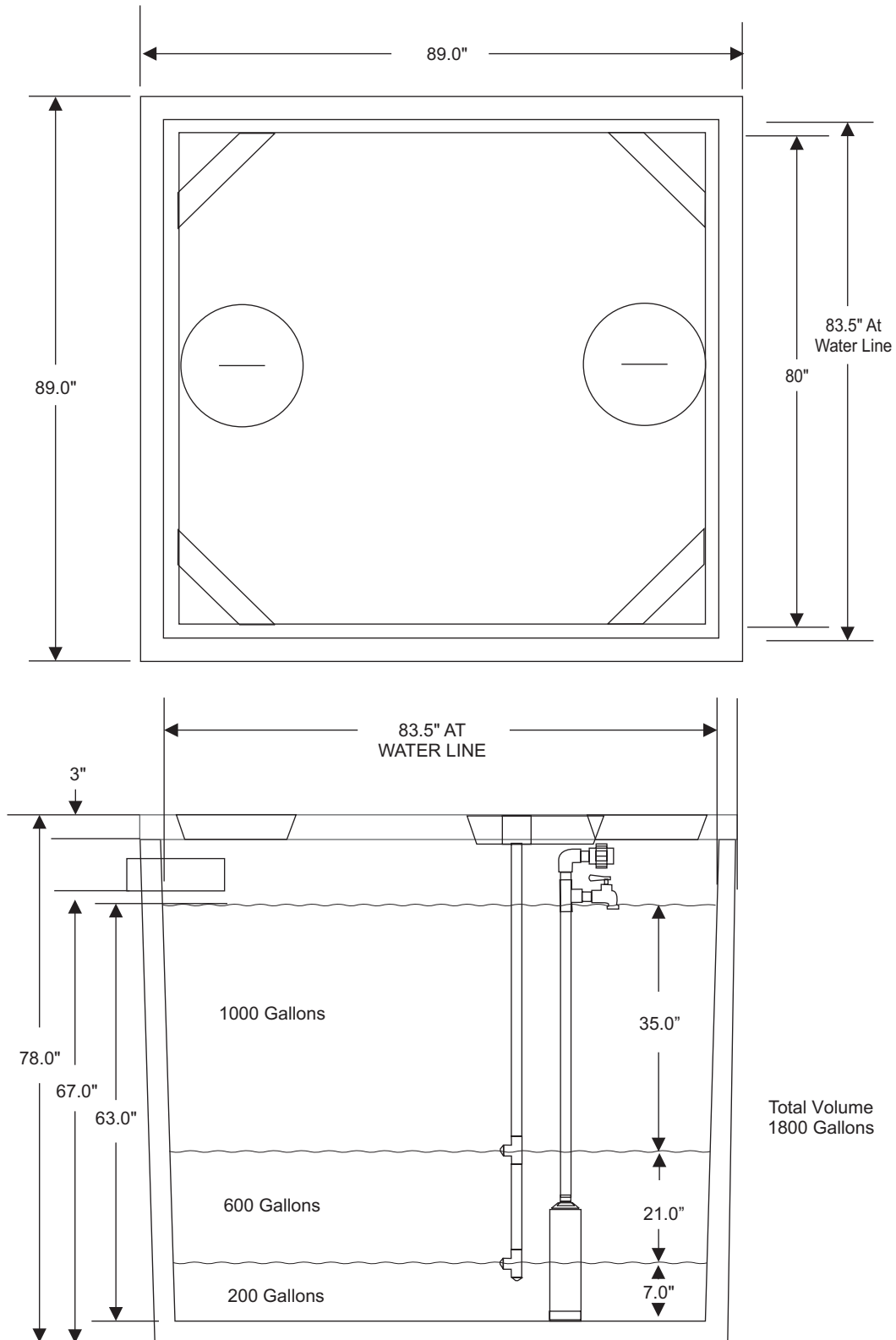


1000 GPD GRAVITY DISCHARGE SYSTEM H-1000 A



5.312' Avg. Length
6.812' Avg. Width
5.416' Depth

1800 GALLON PUMP TANK FOR H-1000 A



5.312' Avg. Length
6.812' Avg. Width
5.416' Depth